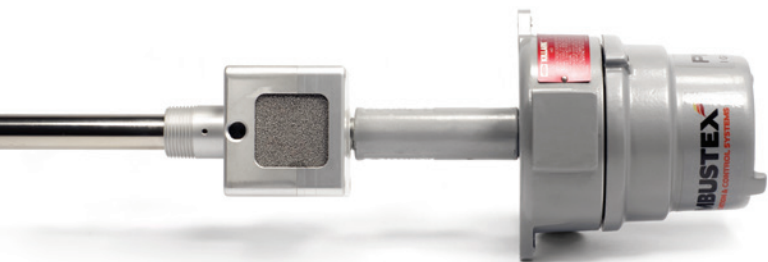
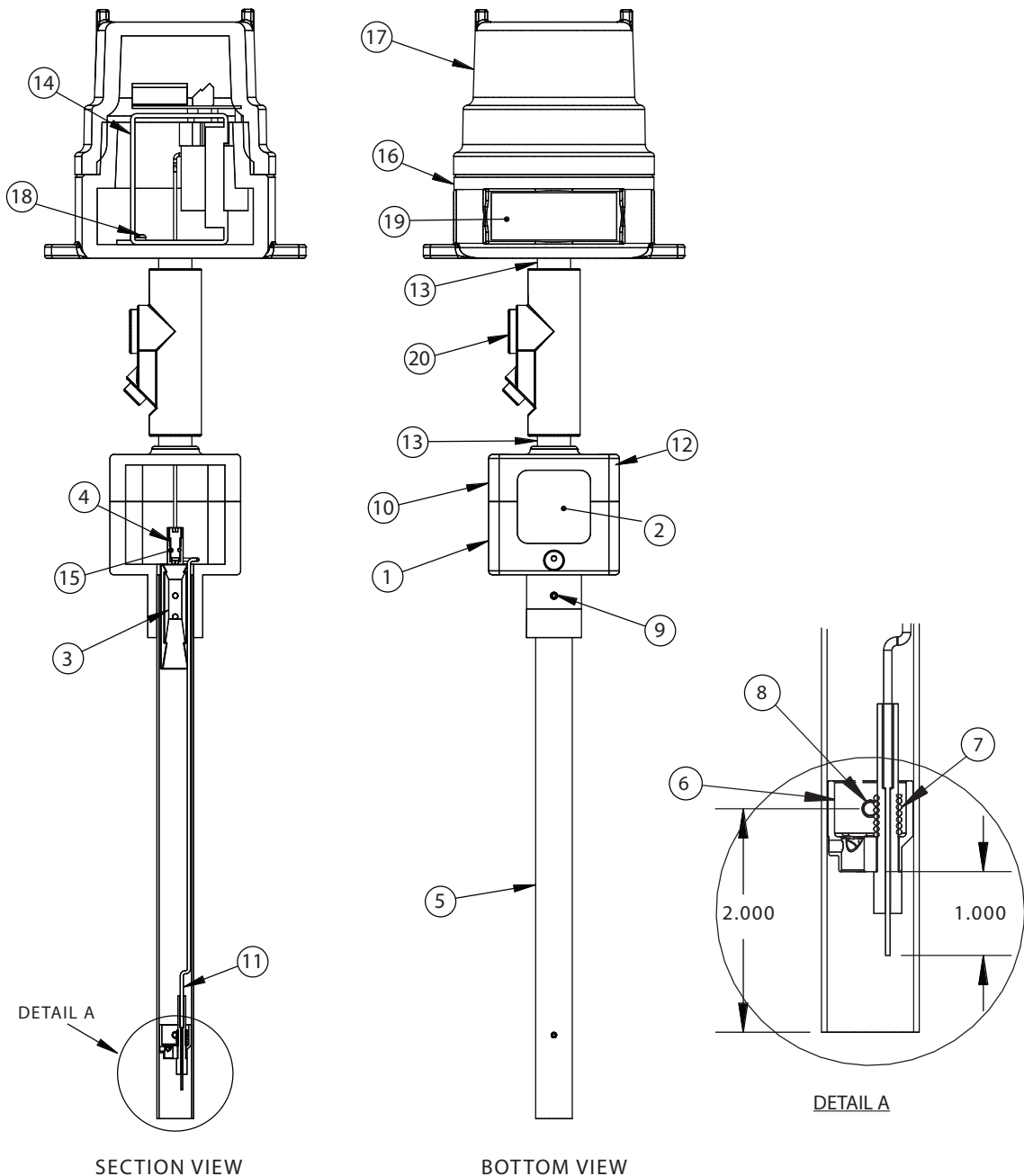


PILOT PRO™
IGNITION SERIES

The **Combustex**
Pilot Pro™ 550



Ignition System with
Pilot Tip and Flame Sensor



SECTION VIEW

BOTTOM VIEW

DETAIL A

Contact Us Toll Free: 1-855-226-2582

Phone: (403) 342-4494 | Email: sales@combustex.com | Web: www.combustex.com

Item	Qty.	Description	Part No.	
1	1	Bottom Body	1007	
2	1	Flame Arrestor	1080	●
3	1	Venturi	1084	
4	1	Pilot Jet	1006	●
5	1	7/8 x 0.049 SS Tubing	1083-(1 through 6) ★	
6	1	Burn Tip	1089A	●
7	1	Ceramic Retainer Spring	1098A	●
8	2	Burn Tip Dowel Pin	1090	●
9	1	Venturi Set Screw	1101	●
10	1	Top Body	1005A	
11	1	550 Ignition Lead Wire Assembly	2044-(1 through 6) ★	●
12	4	1/4-20 x 1-1/4 Socket Cap Screws	1082	
13	2	1/2" Close Nipple	1015	
14	1	550 Ignition Module	1590	●
15	1	Pilot Valve O-ring	1099	
16	1	Cl. 1, Div I & II Enclosure Base	1031	
17	1	Killark HK2D Cap	1032	
18	2	10-24 x 5/16 Screw	1058	
19	1	Serial Number Tag	1404	
20	1	1/2" Aluminum Electrical Seal	1014	

★ Part number suffix indicates insertion length.
E.g. 2004-2 = 2 ft. insertion length.

● Indicates parts included in service kit.

PILOT PRO™ 550