

# PILOT PRO™

## IGNITION SERIES

---



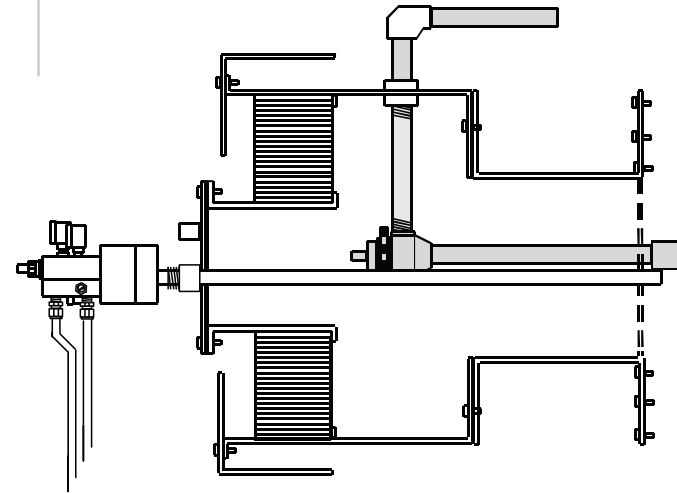
## The Combustex Pilot Pro™ 800

*Pilot Burner Assembly with Ignition & Flame Failure Monitor*

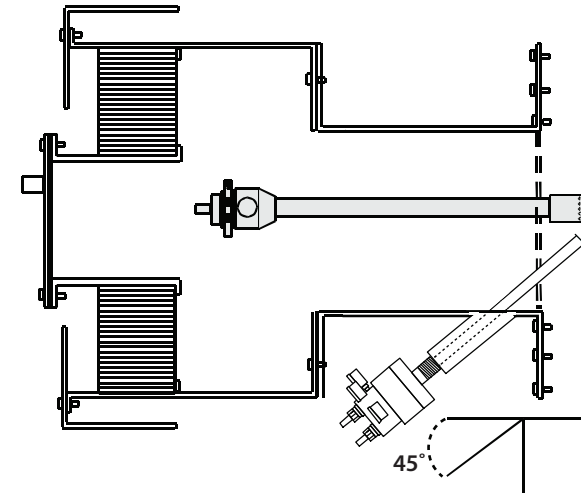
*Safe, reliable* ignition and flame failure *protection* combined with a *proven*, completely *self-powered* pilot head.

The **Combustex Pilot Pro™ 800** provides safe, economical and reliable burner control on most industrial gas fired heater applications. Ideal for line heaters, dehydrating and de-ethanizing reboilers, treaters, reboilers and many other gas-fired industrial heaters.

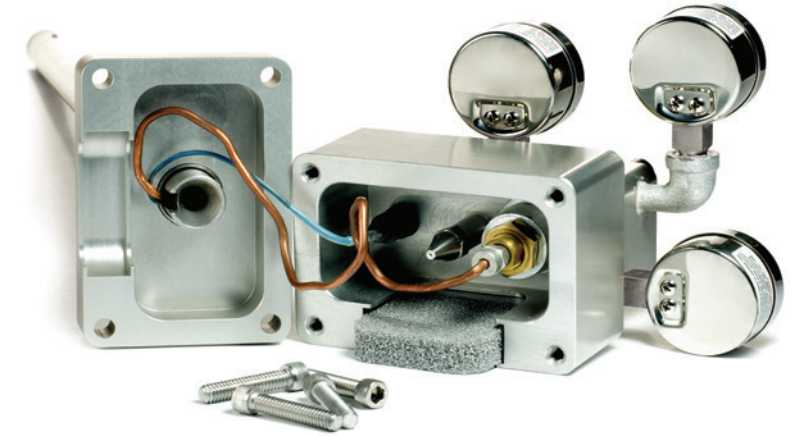
With stainless steel and aluminum components, these units are designed for operation in Class 1 Division 2 hazardous locations and can be mounted parallel to the main burner or, where necessary, at a 45° angle.



Parallel Mount to Main Burner



Angle Mount to Main Burner



## KEY FEATURES

- Heavy-duty low temperature piezo electric igniter, providing reliable self-powered ignition.
- Failsafe thermocouple-powered gas valve ensures the pilot flame is proven before the main fuel valve will open.
- Integral Venturi System aspirates combustion air through a built-in flame arrester.
- Built-in automatic lockout eliminates the need for costly auxiliary controls
- Unique 316 SS pilot assembly easily installs and retracts through a standard 1" NPT collar.
- Low fuel consumption design enables feasible natural gas or propane-based operation.
- Stainless steel and aluminum construction.
- High temperature Mica Ignition lead channeled through the mixing tube eliminates lead deterioration.

Call Us Toll Free: 1-855-226-2582

# TECHNICAL SPECIFICATIONS

Operating Temperature .....	-40°C to +40°C
Materials and Parts .....	Anodized Aluminum, 316 SS
Valve Seals .....	Buna N Standard, Viton Optional
Gauge Ports .....	1/8" NPT
Supply / Output Ports .....	1/4" NPT
Max. Working Pressure .....	30 PSI
Min. Working Pressure .....	5 PSI
Mounting .....	1" Male NPT
Supply Pressure .....	Filtered 20 PSI Natural Gas or Propane
Pilot Fuel Consumption .....	7 SCFH, 7,000 BTU/Hr.
Ignition .....	15KV Low Temperature Piezo
Environment Rating .....	Class 1, Div. 2 Hazardous Location
Power .....	Self-powered - 30mV Thermopile
Insertion Length .....	Multiples of 1 ft. or Custom Built
Main Gas Direct Feed .....	750,000 BTU/Hr.

## OTHER PRODUCTS



**The Canlite  
Ignition Torch**

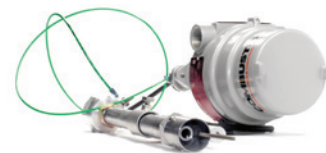
*Eliminate the use of dangerous  
rags and flammable liquids.*

### The BMS-2000 Series



*Feature Packed Burner  
Management System*

### The Pilot Pro™ 900



*Ignition System with Pilot  
Tip and Flame Sensor*

## CONTACT

# COMBUSTEX

## BURNER IGNITION & CONTROL SYSTEMS

A Canalta Controls Company

**Phone:** 403.342.4494    **Fax:** 403.346.7110

**Email:** sales@combustex.com    **Web:** www.combustex.com

**Call Us Toll Free: 1-855-226-2582**

6759 65th Ave.  
Red Deer, AB T4P 1X5  
CANADA