

PILOT PRO™

IGNITION SERIES



The Combustex Pilot Pro™ 550

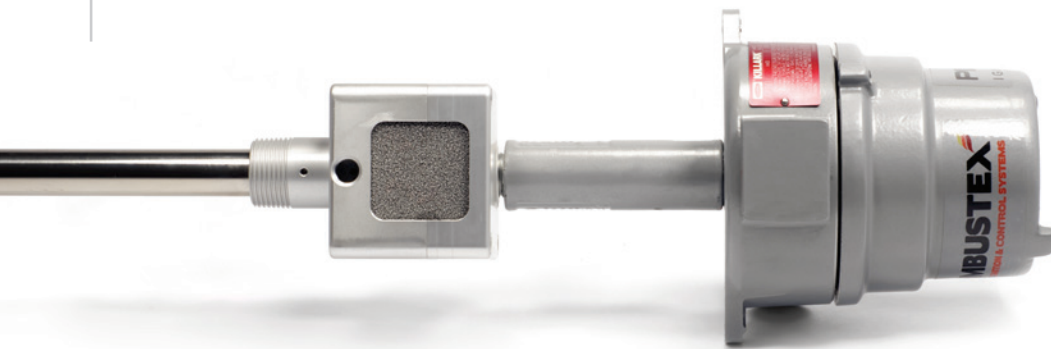
Ignition System with Pilot Tip and Flame Sensor

*Providing **strong ignition** and **rapid flame response**
in any industrial heater application.*

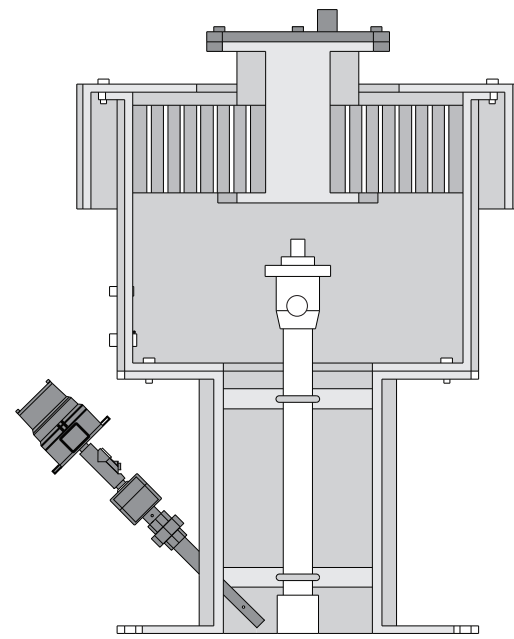
The **Combustex Pilot Pro™ 550** delivers the functionality necessary to establish and maintain a pilot flame safely and reliably.

Utilizing Flame Ionization Detection technology, these units feature rapid flame response, adjustable flame voltage levels, and a convenient LED flame status indicator right on the ignition module. The 550 also includes an external flame arrestor, providing a clean air supply for pilot combustion and a better, more reliable pilot flame.

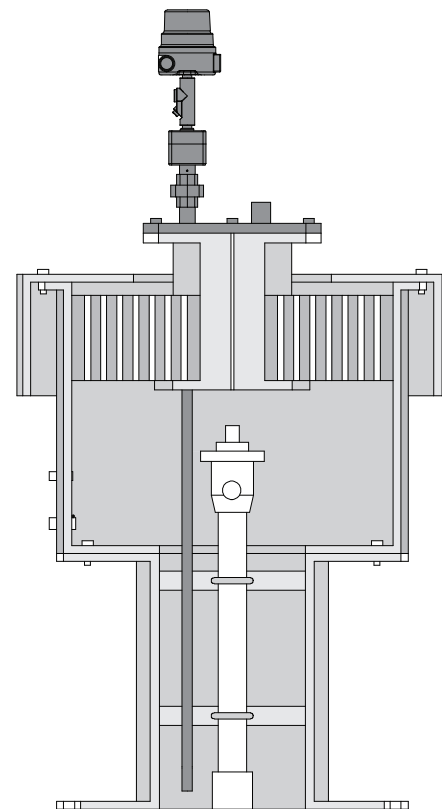
Whatever your gas-fired industrial heater application, the Pilot Pro™ 550 Ignition System is the right choice for safety, reliability and performance.



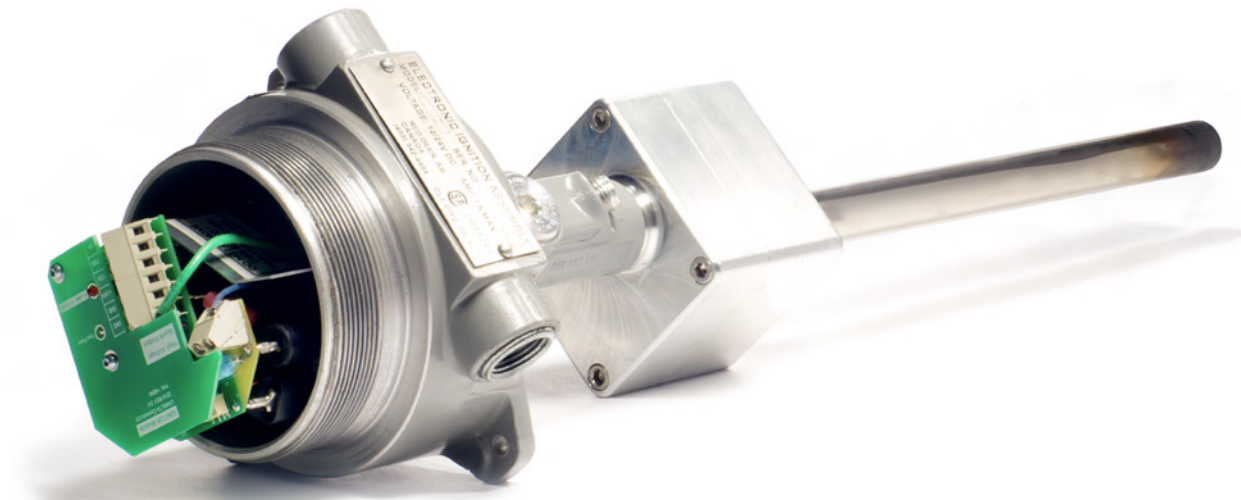
Call Us Toll Free: 1-855-226-2582



Angle Mount to Main Burner



Parallel Mount to Main Burner



KEY FEATURES

- Strong, Reliable Ignition & Pilot Flame
- Rapid Flame Response
- LED Flame Status Indicator
- Fully Protected Ignition Lead with Optional High Temp. Sheath
- Low Fuel Gas Consumption
- Robust Aluminum & Stainless Steel Construction
- Rated for Class 1, Div. 2 Hazardous Locations
- B149.3 Compliance *

The Pilot Pro™ 550 is at its most capable when installed with a Combustex BMS-2000 Series Burner Management System. Designed, built and tested around the features of the BMS-2000, the Pilot Pro™ 550 can respond to both remote and local commands, preset control parameters, as well as powerful automated sequencing from the BMS controller. Visit us online at www.combustex.com to learn more.

* When installed with a BMS-2000 Series Burner Management System.

TECHNICAL SPECIFICATIONS

Electrical

Environment	CSA C22.2 Class 1 Div. 2 Groups B, C and D Hazardous Locations
Power Supply	24 VDC
Current Draw	75mA (normal operation)
Ignition	25 KV

Fuel Gas

Fuel Type	Natural Gas or Propane
Working Pressure	7 - 9 Psi
Maximum Test Pressure	15 Psi
Fuel Consumption	8 SCFH, 16,500 BTU/Hr. (nat. gas)

Physical

Operating Temperature	-40° to +40° C
Materials and Parts	Aluminum, SS
Supply Port	1/8" NPT
Mounting	1/2" NPT Close Nipple / Meyers Hub

OTHER PRODUCTS



**The Canlite
Ignition Torch**

*Eliminate the use of dangerous
rags and flammable liquids.*

The BMS-2000 Series



*Feature Packed Burner
Management System*

The Pilot Pro™ 900



*Ignition System with Pilot
Tip and Flame Sensor*

CONTACT

COMBUSTEX

BURNER IGNITION & CONTROL SYSTEMS

A Canalta Controls Company

Phone: 403.342.4494 Fax: 403.346.7110

Email: sales@combustex.com Web: www.combustex.com

Call Us Toll Free: 1-855-226-2582

6759 65th Ave.
Red Deer, AB T4P 1X5
CANADA