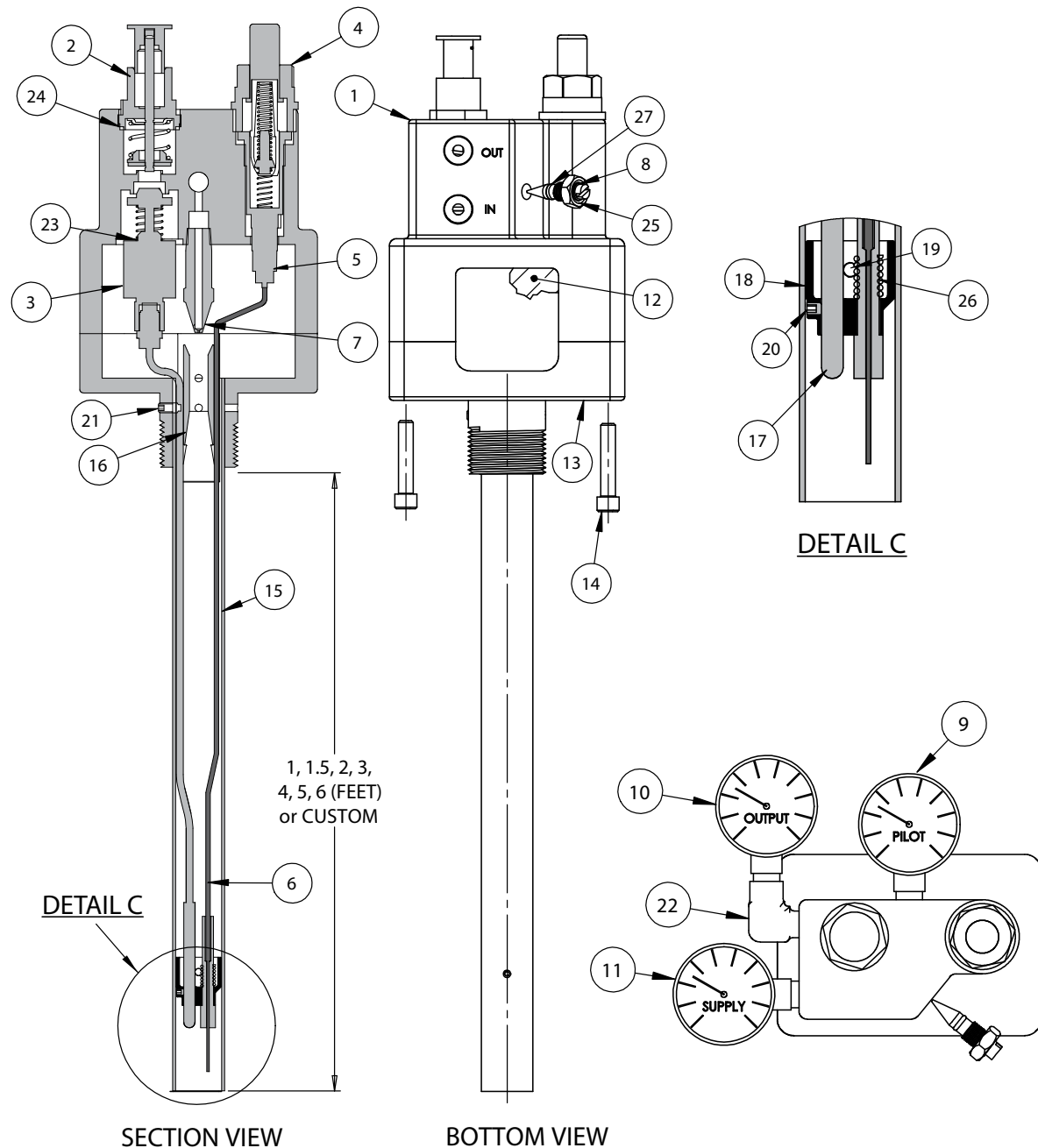


**PILOT PRO™**  
IGNITION SERIES

# The Combustex Pilot Pro™ 800



*Pilot Burner Assembly with Ignition & Flame Failure Monitor*



Contact Us Toll Free: 1-855-226-2582

Phone: (403) 342-4494 | Email: sales@combustex.com | Web: www.combustex.com

**COMBUSTEX**  
BURNER IGNITION & CONTROL SYSTEMS  
A Canalta Controls Company

Item	Qty.	Description	Part No.	
1	1	Top Body	1064	
2	1	Upper Gas Valve Assembly	1065	●
3	1	Lower Gas Valve Assembly	1066	●
4	1	Igniter Push Button & Body Assembly	1067	
5	1	Piezo Igniter Assembly	1068	●
6	1	Ignition Lead Wire Assembly	2004-(1 through 6)★	●
7	1	Pilot Jet	1075	
8	1	Pilot Valve	1097-1	
9	1	Pilot Gauge	1077	●
10	1	Output Gauge	1078	●
11	1	Supply Gauge	1079	●
12	1	Flame Arrestor	1080	●
13	1	Bottom Body	1081	
14	4	1/4-20 x 1 1/4 Socket Cap Screws	1082	
15	1	7/8 x 0.049 SS Tubing	1083-(1 through 6)★	
16	1	Venturi	1084	
17	1	24" Thermocouple	1085	(●)
17	1	36" Thermocouple	1086	(●)
17	1	48" Thermocouple	1087	(●)
17	1	72" Thermocouple	1088	(●)
18	1	Burn Tip	1089 A	●
19	2	Burn Tip Dowel Pin	1090	●
20	1	Thermocouple Set Screw	1098	●
21	1	Venturi Set Screw	1101	●
22	1	1/8" NPT Street Elbow	1094	
23	1	Lower Valve Gasket	1095	●
24	1	Upper Valve Gasket	1096	●
25	1	Lock Nut	1097-2	
26	1	Ceramic Retainer Spring	1098 A	●
27	1	Pilot Valve O-ring	1099	

★ Part number suffix indicates insertion length.  
E.g. 2004-2 = 2 ft. insertion length.

● Indicates parts included in service kit.

(●) Please specify thermocouple size required at time of order.

PILOT PRO™ 800