

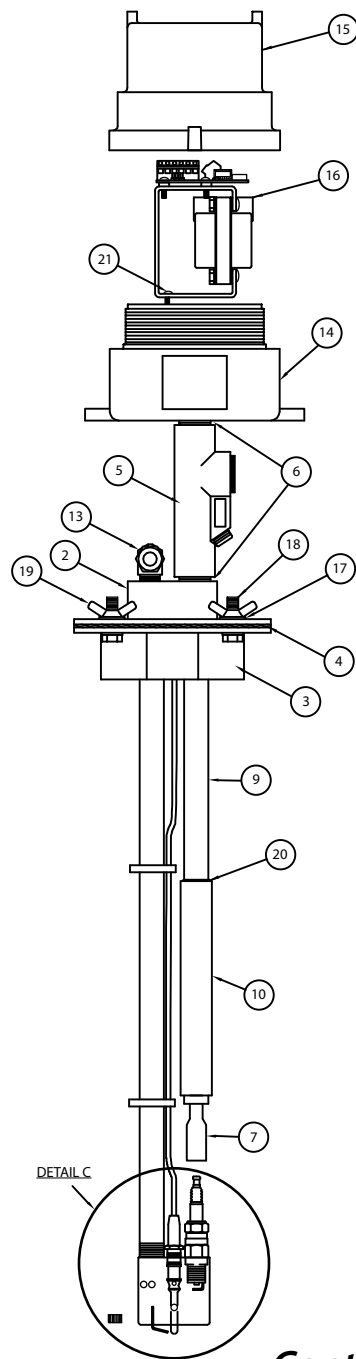
PILOT PRO™
IGNITION SERIES

The Combustex Pilot Pro™ 500

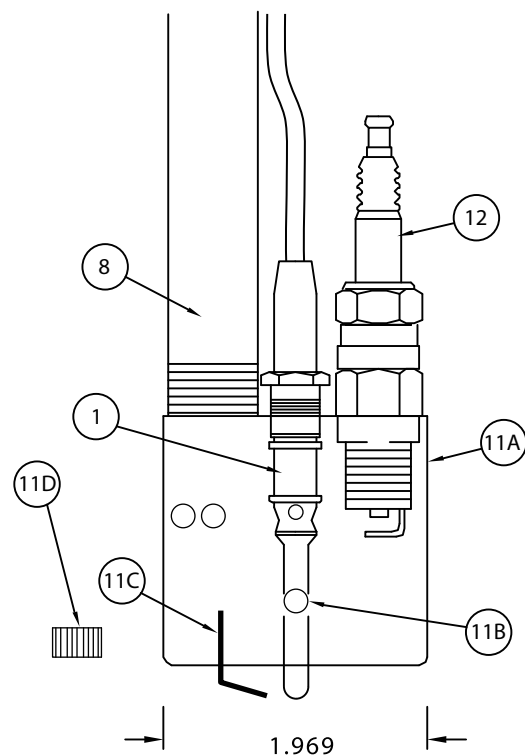


*Ignition System with
Pilot Tip and Flame Sensor*

COMBUSTEX
BURNER IGNITION & CONTROL SYSTEMS
A Canalta Controls Company



DETAIL C



Contact Us Toll Free: 1-855-226-2582

Phone: (403) 342-4494 | Email: sales@combustex.com | Web: www.combustex.com

Item	Qty.	Description	Part No.	
1	1	Type "K" Thermocouple	1008	●
2	1	Flange - Instrument Connection	1009	
3	1	Flange - 2" NPT Female	1010	
3	1	Flange - 3" NPT Female (optional)	1011	
4	1	Flange Gasket	1013	
5	1	1/2" Aluminum Seal	1014	
6	2	1/2" x 2" Aluminum Nipple	1015	
7*	1	Ignition Lead Wire Assembly	2005	●
8	3	Gas Pipe - 3/8" (SS Pipe)	1023	
9	1	Conduit - 3/8" (SS Pipe)	1023	
10	1	Slide Protector	2002	●
11	1	Pilot Head Assembly (includes 11A through 11D)	2003	●
11A	1	Pilot Head 500	1026	
11B	1	#8-32 x 1/4" Thermocouple Set Screw - SS	1028	
11C	1	Deflector Plate	1027	
11D	1	#10-24 x 3/8" Deflector Plate Set Screw - SS	1299	
12	1	Spark Plug	1029	●
13	1	3/8" Elbow Tube Fitting	1030	
14	1	Cl. 1, Div. I & II Enclosure Base	1031	
15	1	Enclosure Cap	1032	
16*	1	Ignition Module	2007	●
17	4	5/16" Lock Washer - Zinc	1300	
18	4	5/16"-18 x 1 Bolt - Zinc	1301	
19	4	5/16"-18 Wing Nut - Zinc	1302	
20	1	5/8" ID External Snap Ring	1025	
21	2	10 - 24 x 5/16 Screw	1058	

● Indicates parts included in service kit.

* As of 01/2012 part #s 2005 and 2007 from the Pilot Pro™ 500 Igniter will replace part #s 2006 and 2008 (ignition lead wire assembly and ignition module) from the former Canlite 501 Igniter.

PILOT PRO™ 500