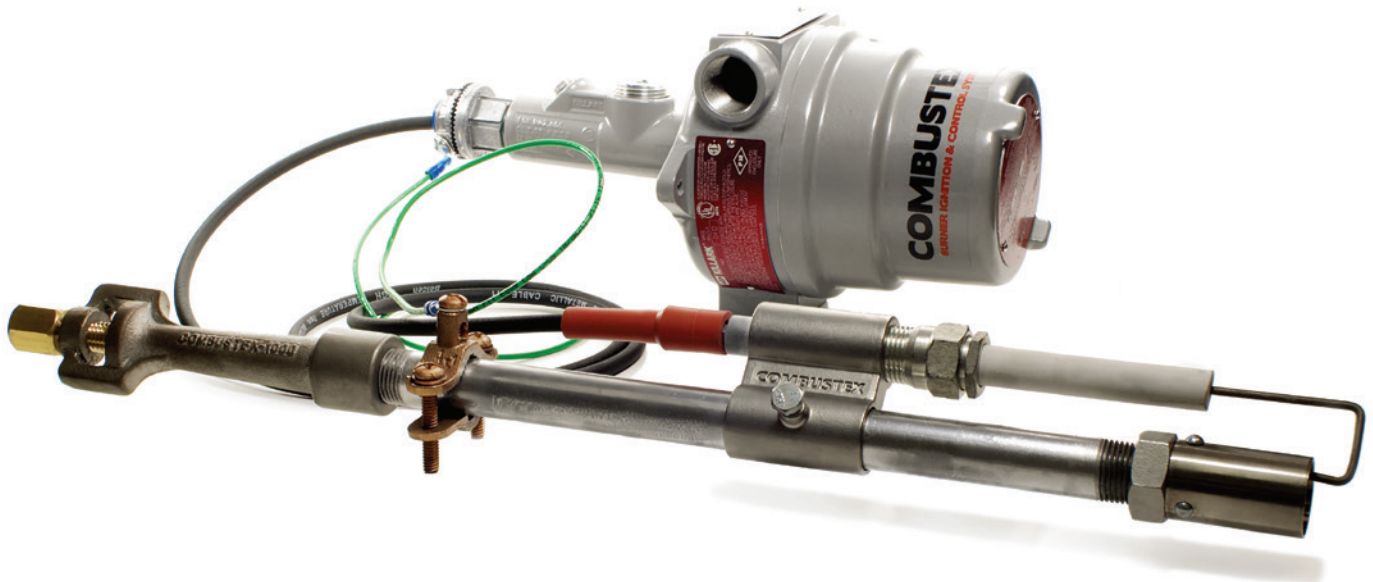


# PILOT PRO™

## IGNITION SERIES

---



## The Combustex Pilot Pro™ 900

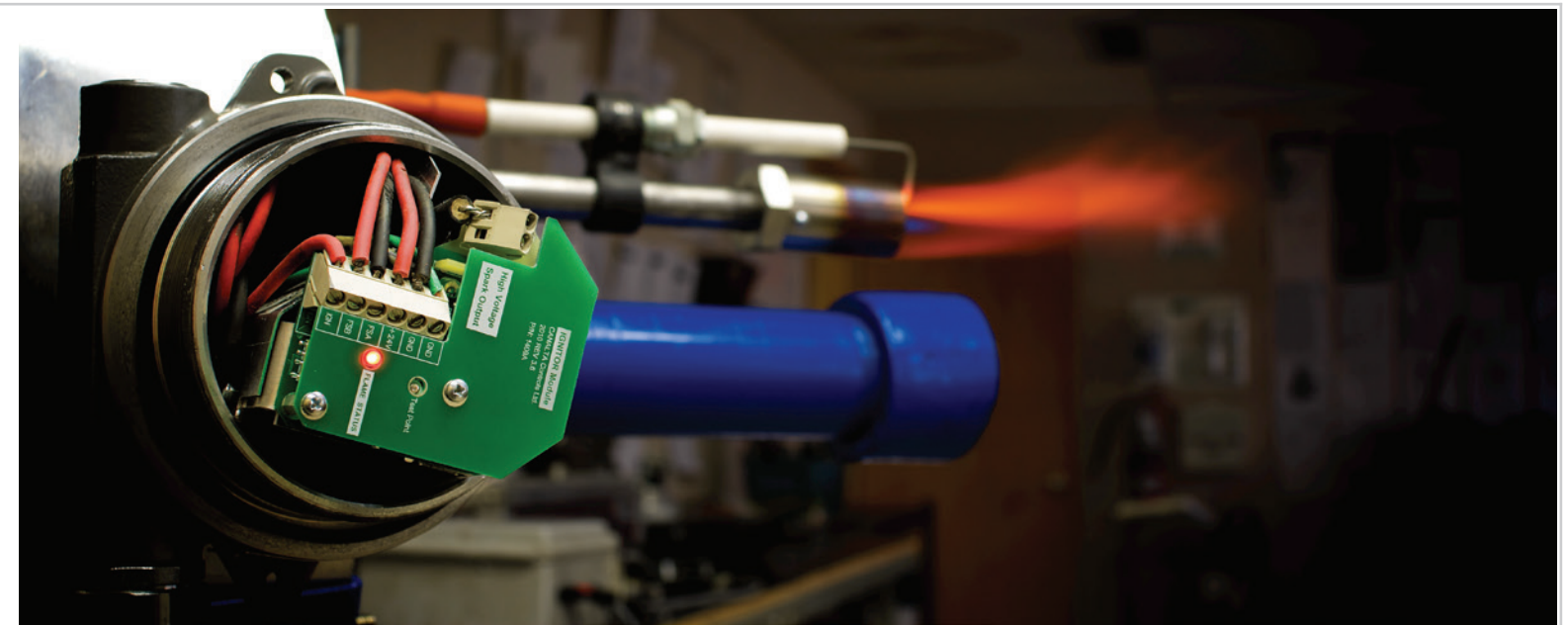
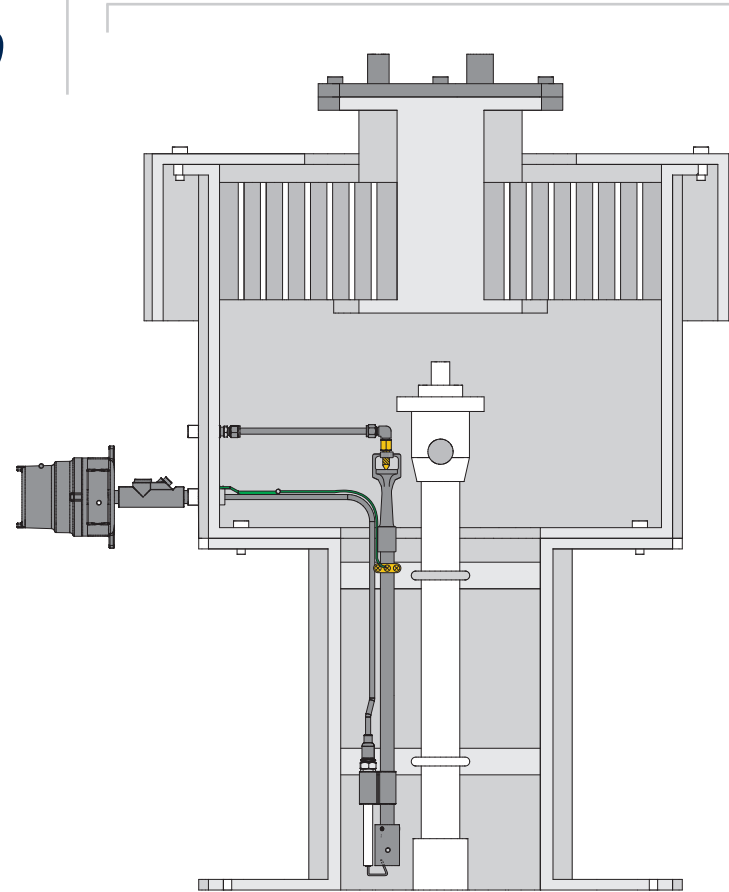
*Ignition System with Pilot Tip and Flame Sensor*

*Bringing **Strong Ignition** and **Rapid Flame Response**  
to any industrial heater application.*

The **Combustex Pilot Pro™ 900** delivers the functionality necessary to establish and maintain a pilot flame safely and reliably.

Utilizing Flame Ionization Detection technology, these units feature rapid flame response, adjustable flame voltage levels, and a convenient LED flame status indicator right on the ignition module.

Whatever your gas-fired industrial heater application, the Pilot Pro™ 900 Ignition System is the right choice for safety, reliability and performance.



## KEY FEATURES

- Strong, Reliable Ignition & Pilot Flame
- Rapid Flame Response
- LED Flame Status Indicator
- Fully Protected Ignition Lead with Optional High Temp. Sheath
- Low Fuel Gas Consumption
- Robust Aluminum & Stainless Steel Construction
- Rated for Class 1, Div. 2 Hazardous Locations
- B149.3 Compliance \*

The Pilot Pro™ 900 is at its most capable when installed with a Combustex BMS-2000 Series Burner Management System. Designed, built and tested around the features of the BMS-2000, the Pilot Pro™ 900 can respond to both remote and local commands, preset control parameters, as well as powerful automated sequencing from the BMS controller. Visit us online at [www.combustex.com](http://www.combustex.com) to learn more.



**Call Us Toll Free: 1-855-226-2582**

\* When installed with a BMS-2000 Series Burner Management System.

# TECHNICAL SPECIFICATIONS

## Electrical

Environment .....	CSA C22.2 Class 1 Div. 2 Groups B, C and D Hazardous Locations
Power Supply .....	12 - 24 VDC
Current Draw .....	75mA (normal operation)
Ignition .....	25 KV

## Fuel Gas

Fuel Type .....	Natural Gas or Propane
Working Pressure .....	7 - 9 Psi
Maximum Test Pressure .....	15 Psi
Fuel Consumption .....	8 SCFH, 16,500 BTU/Hr. (nat. gas)

## Physical

Operating Temperature .....	-40° to +40° C
Materials and Parts .....	Aluminum, SS
Supply Port .....	1/4" NPT
Mounting .....	1/2" NPT Close Nipple / Meyers Hub

## OTHER PRODUCTS



**The Canlite  
Ignition Torch**

*Eliminate the use of dangerous  
rags and flammable liquids.*

### The BMS-2000 Series



*Feature Packed Burner  
Management System*

### The Pilot Pro™ 800



*Pilot Burner Assembly with Ignition  
& Flame Failure Monitor*

## CONTACT

# COMBUSTEX

## BURNER IGNITION & CONTROL SYSTEMS

A Canalta Controls Company

Phone: 403.342.4494 Fax: 403.346.7110

Email: sales@combustex.com Web: www.combustex.com

**Call Us Toll Free: 1-855-226-2582**

6759 65th Ave.  
Red Deer, AB T4P 1X5  
CANADA